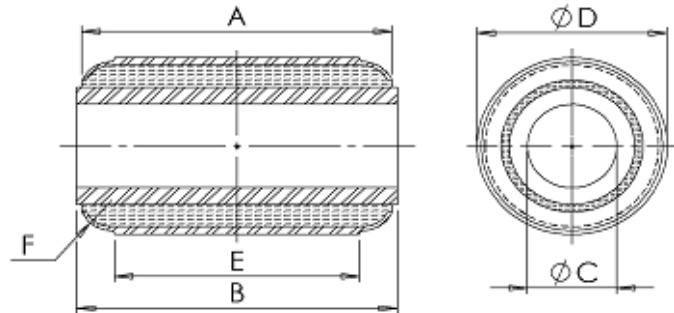


Type BC – Spring-eye bush



Applications

- Leaf spring support
- Mechanical linkages
- Bespoke

Description

BC type bushes consist of rubber bonded to an inner tube and force-fitted into an outer sleeve. The BC is similar to the BA series, although the outer metals are turned over to increase radial and axial load bearing capability.

As installed, the rubber is pre-stressed to give maximum dynamic strength and durability.

Specifications

Natural Rubber to BS5179:1975

Highest tensile specification achieved for each hardness band. Each band is tighter than allowed by specification.

Tube to: BS6323: Part 4, DIN2393 / DIN1629

Bar to: BS970: Part 1:1983

Standard finish – Phosphated outer

Tolerances and load-deflection data are available on request

For our current product range, outside diameter ØD ranges from Ø27mm to Ø54mm.

Contact us for more details of our current product range or a quotation for a new product.