



## BA Type – Semi-Bonded Bush

### Description

The BA type bush consists of rubber sandwiched between two concentric steel sleeves. The rubber is bonded to the inner sleeve and interference fitted into the outer sleeve. The rubber is pre-stressed to give a secure and high-duty bearing.

The BA type bush is designed to accommodate small torsional, conical and axial movements; and endure radial loads. The type of bush can be used as a slipping bearing: when overloaded torsionally the bush slips to a new rest position and is not damaged. As with all rubber bearings the bush accommodates misalignment; provides noise and vibration isolation and protects from shock loads.

### Applications

- Vibratory feeders
- Conveyer tracks
- Mechanical linkages
- Wind turbines
- General mechanical applications



### Specification

**Tube/Bar:** Mild Steel, Carbon Steel, Stainless Steel, Brass, Bronze, Plastic and Aluminium (standards and grades available upon request)

**Elastomer:** Natural Rubber, EPDM, Chloroprene, Polyurethane (standards available upon request)

**Finishes:** Oiled, Plated, Painted, Phosphated and Anodised (Ground tolerances available).

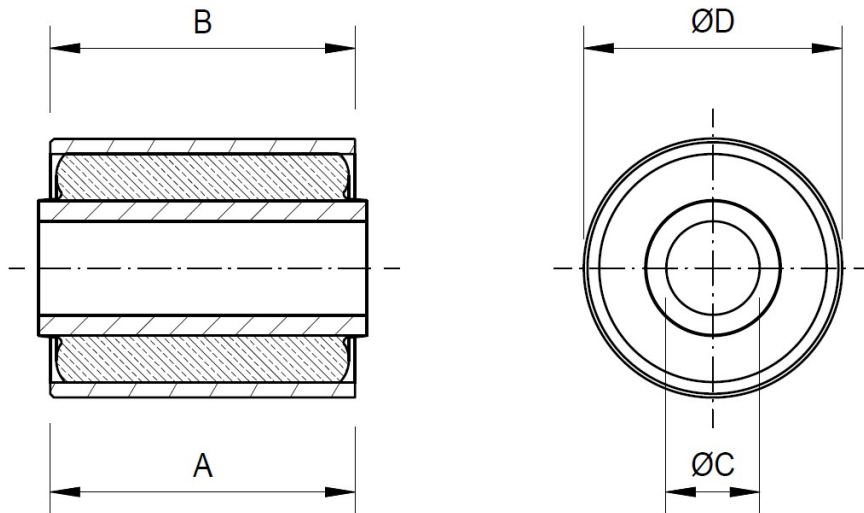
**Tolerances:** Ground Tolerances available upon request

**Load Data:** Load deflection data available upon request

Bushes can be supplied with pins.



**Product List**



Part Number	Outer Length (A)	Inner Length (B)	Inner Diameter (ØC)	Outer Diameter (ØD)
BA0171	19.05	22.23	9.53	17.15
*BA0172	19.05	22.23	6.35	17.46
BA0181	25.40	27.80	7.94	17.46
BA0191	28.90	31.00	9.50	19.10
BA0193	22.23	25.40	6.35	19.05
BA0211	31.75	41.28	9.53	20.64
BA0212	31.75	34.93	9.53	20.64
BA0221	66.68	69.85	11.11	22.23
BA0222	32.00	36.00	10.30	22.10
BA0223	36.53	39.70	8.00	22.25
BA0224	34.93	38.10	11.11	22.23
BA0225	28.58	31.75	8.00	22.20
BA0226	38.10	44.45	11.15	22.23
BA0227	44.45	47.63	11.11	22.23
BA0228	38.10	44.45	7.93	22.23
BA0231	25.40	28.60	11.10	23.80
BA0241	38.10	41.30	11.20	23.85
BA0242	25.40	25.40	12.80	23.85
BA0243	30.20	32.15	9.60	23.85
BA0244	19.05	22.23	11.11	23.81
BA0251	38.10	44.45	11.10	25.40
BA0252	21.00	25.10	12.30	25.40
BA0253	25.40	44.25	14.23	25.40
BA0254	50.80	53.97	11.10	25.40
BA0255	47.60	52.40	9.50	25.40
BA0256	28.60	36.50	11.11	25.40
BA0257	31.75	36.51	9.53	25.40



Part Number	Outer Length (A)	Inner Length (B)	Inner Diameter ( $\phi$ C)	Outer Diameter ( $\phi$ D)
BA0273	32.00	34.90	12.75	27.10
BA0274	50.80	60.30	12.70	27.00
BA0275	25.40	28.60	11.20	27.05
BA0276	38.10	41.30	12.80	27.05
BA0277	44.45	47.63	12.80	27.05
BA0281	36.50	40.50	14.40	28.70
BA0282	30.00	36.00	14.40	28.70
BA0283	32.00	32.00	12.10	28.00
BA0284	41.28	44.45	15.88	28.58
BA0285	41.28	44.45	15.88	28.58
BA0286	35.00	38.10	11.11	28.58
BA0291	25.40	28.50	12.70	28.58
BA0292	28.60	33.35	12.80	28.65
BA0293	51.60	55.60	9.53	28.57
BA0321	66.00	70.00	16.00	32.00
BA0322	50.80	53.98	14.40	31.75
BA0323	36.50	39.70	14.30	31.80
BA0324	50.00	54.00	16.00	32.00
BA0325	50.80	58.70	12.70	31.75
BA0326	34.00	40.00	16.50	31.80
BA0327	25.00	28.00	14.30	31.80
BA0328	57.15	61.90	16.00	31.80
BA0329	57.15	61.90	14.40	31.80
BA032A	44.45	46.00	12.80	31.80
BA032B	31.75	39.50	19.05	31.75
BA032C	57.15	63.50	12.70	31.80
BA032D	50.80	57.15	12.70	31.75
BA032F	36.51	39.69	19.05	31.75
BA032G	60.33	50.88	12.70	31.75
BA032H	50.80	53.98	14.45	31.62
BA0331	25.40	28.60	12.70	33.30
BA0332	31.8	38.10	12.70	33.30
BA0341	41.28	44.45	12.70	34.39
BA0342	41.30	44.40	12.70	34.95
BA0351	63.50	68.30	16.10	35.00
BA0353	34.90	38.10	15.90	34.90
BA0354	48.00	50.00	13.00	35.00
BA0355	38.10	39.69	17.46	34.93
BA0356	35.50	38.00	16.00	35.00
BA0357	34.93	41.28	15.90	35.00
*BA0358	34.93	41.28	16.00	34.97
BA0381	78.00	84.00	20.00	38.00
BA0382	38.10	41.25	19.05	38.10
BA0383	57.15	61.90	19.10	38.10
BA0384	60.00	72.00	16.00	38.00
BA0385	73.00	79.40	15.88	38.10



Part Number	Outer Length (A)	Inner Length (B)	Inner Diameter ( $\phi$ C)	Outer Diameter ( $\phi$ D)
BA0386	57.20	110.00	19.10	38.10
BA0387	50.80	53.98	15.88	38.10
BA0389	50.80	53.98	19.05	38.10
BA0401	46.00	54.00	20.00	40.00
BA0431	57.15	63.50	22.23	42.86
BA0441	65.00	70.00	16.00	44.00
BA0442	50.80	60.32	19.05	44.45
BA0462	65.00	69.00	25.35	46.00
BA0462	98.40	104.80	25.40	46.05
BA0464	38.10	41.30	25.40	46.00
BA0465	63.50	68.26	25.40	46.04
BA0467	47.63	50.80	25.50	46.08
BA0481	84.00	92.00	24.10	48.05
BA0482	110.00	118.00	28.00	48.00
BA0483	110.00	118.00	28.00	48.00
BA0521	100.00	108.00	28.00	52.00
BA0531	63.50	73.00	25.40	54.00
BA0532	50.80	57.20	25.40	54.00
BA0541	63.50	69.85	34.93	53.98
BA0551	114.25	123.80	28.60	54.70
BA0552	114.30	123.90	28.65	54.70
BA0561	50.00	55.00	32.00	56.00
BA0562	50.00	55.00	32.00	56.00
BA0591	69.85	74.60	35.00	58.80
BA0601	76.00	82.00	24.00	60.00
BA0602	74.00	76.00	19.10	60.40
BA0632	127.00	130.20	26.00	63.50
BA0633	83.00	89.00	25.50	63.50
BA0634	63.50	104.80	31.75	63.55
BA0641	70.00	76.00	38.05	64.05
BA0642	50.80	57.20	31.80	63.50
BA0651	61.12	70.64	38.10	65.09
BA0661	96.00	86.00	40.05	66.07
BA0701	76.20	82.60	41.27	69.85
BA0781	129.49	133.35	44.45	78.49
BA0801	110.00	100.00	50.10	80.10
BA0823	77.50	77.50	55.00	81.50
BA0824	77.50	77.50	55.56	81.50
BA0825	77.50	90.00	55.40	81.50
BA0861	95.25	101.60	50.85	85.75
BA0862	101.60	101.6	50.80	85.73
BA0864	127.00	139.70	50.80	85.73
BA0865	60.50	60.50	55.96	86.06
BA0891	88.90	92.08	54.00	88.90
*BA0892	88.90	92.08	53.98	88.80
BA0951	114.30	120.65	57.20	95.30
BA1021	110.00	120.00	56.00	102.00



Part Number	Outer Length (A)	Inner Length (B)	Inner Diameter ( $\phi$ C)	Outer Diameter ( $\phi$ D)
BA1051	101.60	107.95	63.50	104.78
BA1052	100.00	108.00	65.00	104.95
BA1057	152.40	165.10	63.50	104.78
BA1058	158.75	177.80	63.50	104.75
BA1081	120.60	127.00	73.10	107.95
BA1082	114.30	120.65	67.95	107.95
BA1101	110.00	120.00	60.00	110.05
BA1102	110.00	120.00	60.00	110.00
BA1202	139.70	149.00	76.20	120.65
BA1203	165.10	174.62	76.20	126.75
BA1271	133.35	139.70	82.60	127.05
BA1601	172.00	180.00	90.00	160.15
BA1602	172.00	180.00	90.00	160.15
BA1603	172.00	180.00	101.00	160.13
BA1604	172.00	320.00	100.00	160.10
BA1605	172.00	180.00	90.50	160.10
BA1606	180.00	425.00	90.00	160.15
BA1607	172.00	180.00	90.50	160.10
BA1751	203.33	228.60	108.00	174.63
BA1871	190.50	203.20	120.65	188.50
*BA1902	230.00	218.00	150.00	190.00
BA2001	222.00	230.00	100.00	200.00
BA2002	222.00	536.00	90.00	200.00
BA2003	222.00	230.10	100.00	200.00
BA2004	222.00	490.00	100.00	200.00
BA2008	192.00	200.00	120.00	200.00
BA2009	200.00	220.00	120.00	200.00
BA2183	264.00	272.00	110.10	218.00
BA2185	222.00	200.00	120.00	218.00
BA2301	310.00	330.00	110.00	230.10
BA2302	310.00	606.00	90.00	230.10
BA2303	310.00	604.00	105.00	230.10
BA2305	310.00	330.00	110.00	230.10
BA2306	222.00	230.00	100.00	230.00
BA2308	310.00	606.00	90/105	229.90
BA2351	267.00	267.00	197.00	235.00
BA2411	274.00	274.00	200.00	245.00
BA2501	240.00	250.00	132.00	250.00
BA2502	240.00	250.00	132.00	250.10
BA2701	270.00	290.00	160.05	270.00
BA3001	205.00	210.00	150.10	300.00
BA3002	205.00	210.00	150.00	300.00
BA3003	410.00	800.00	140.00	300.00
BA3005	205.00	210.00	180.00	300.00

\*Latest editions to range