



BB Type – Fully Bonded Bush

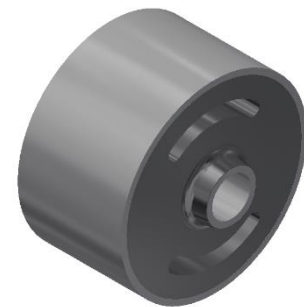
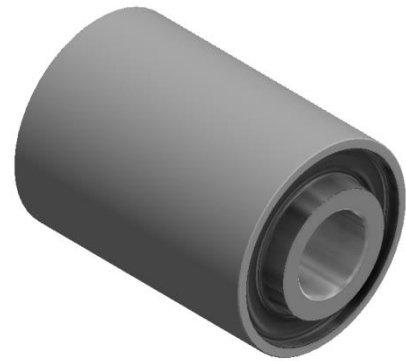
Description

The BB type bushes consist of rubber bonded between two concentric steel sleeves. The moulded part is subsequently 'stress relieved', a process which pre-stresses the rubber and improves the duty of the bush.

The BB type bush is designed to accommodate small torsional, conical and axial movements; and endure radial loads. As with all rubber bearings the bush accommodates misalignment; provides noise and vibration isolation; and protects from shock loads.

Applications

- Vibratory feeders
- Conveyer tracks
- Mechanical linkages
- Wind turbines
- General mechanical applications



Specification

Tube/Bar: Mild Steel, Carbon Steel, Stainless Steel, Brass, Bronze, Plastic and Aluminium (standards and grades available upon request)

Elastomer: Natural Rubber, EPDM, Chloroprene, Polyurethane (standards available upon request)

Finishes: Oiled, Plated, Painted, Phosphated and Anodised (Ground tolerances available).

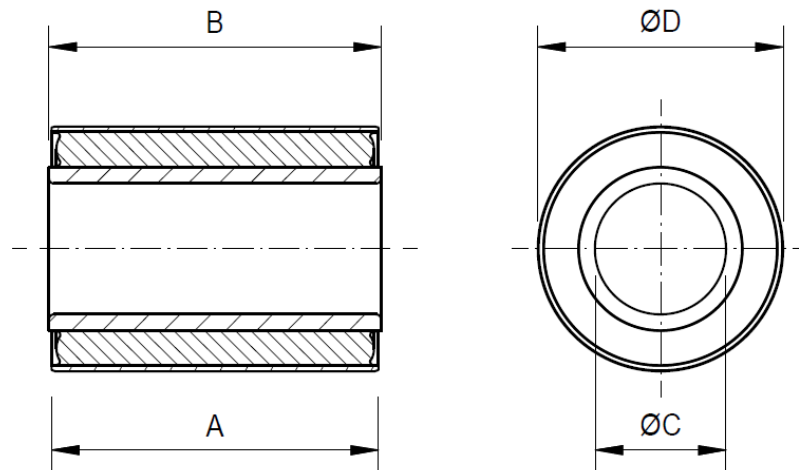
Tolerances: Ground Tolerances available upon request

Load Data: Load deflection data available upon request

Bushes can be supplied with pins.



Product List



Part Number	Outer Length (A)	Inner Length (B)	Inner Diameter (ØC)	Outer Diameter (ØD)
BB0111	6.35	7.94	4.76	11.11
BB0141	9.52	12.70	6.35	14.30
BB0142	9.52	11.10	7.93	14.30
BB0143	19.05	20.60	7.90	14.35
BB0144	17.46	19.05	6.35	14.29
BB0145	11.11	12.70	6.35	14.29
BB0161	22.20	24.60	8.00	16.00
BB0191	28.90	31.00	9.60	19.10
BB0193	28.90	31.00	10.00	19.05
BB0194	12.70	15.88	6.35	19.05
BB0202	15.05	16.99	8.00	19.99
BB0211	8.50	11.70	9.60	20.60
BB0212	19.05	22.20	9.50	20.70
BB0213	23.80	27.00	10.15	20.60
BB0214	38.00	43.00	9.60	20.70
BB0215	22.40	23.50	9.60	20.70
BB0216	19.05	22.23	9.52	20.63
BB0217	31.75	39.00	9.53	20.63
BB0218	8.63	11.56	9.53	20.62
BB0222	26.00	30.00	8.10	22.05
BB0223	15.00	17.00	10.00	22.00
BB0224	33.00	31.00	10.00	22.00
BB0226	44.40	50.00	9.60	22.30
BB0227	30.00	33.00	10.00	22.02
BB0228	9.53	11.10	7.92	22.23
BB022A	44.45	49.21	9.53	22.23
BB0241	19.00	22.20	11.20	23.90
BB0242	18.92	20.60	11.16	23.80



Part Number	Outer Length (A)	Inner Length (B)	Inner Diameter (ϕ C)	Outer Diameter (ϕ D)
BB0243	18.92	20.60	11.16	23.80
BB0244	18.92	22.10	11.20	23.56
BB0245	14.5	17.00	10.00	24.00
BB0251	25.40	33.30	8.00	25.40
BB0253	32.00	35.00	12.05	25.00
BB0254	21.00	23.95	12.75	25.00
BB0255	24.00	29.80	10.20	25.00
BB0258	19.00	30.00	10.10	25.00
BB0259	27.00	50.00	10.05	25.00
BB025A	17.20	25.00	10.05	25.00
BB025B	17.20	35.00	10.05	25.00
BB025C	27.00	31.90	10.20	25.00
BB025D	27.00	29.90	10.10	25.03
BB025E	37.00	39.90	10.20	25.03
BB025F	38.00	40.50	12.00	25.00
BB025G	15.20	12.70	9.53	25.40
BB025H	20.00	24.00	10.00	25.00
BB025J	19.00	19.00	10.00	25.00
BB025K	50.00	54.00	12.00	25.00
BB025L	20.00	23.00	12.00	25.00
BB025M	37.00	40.00	10.1	25.00
BB0271	31.75	34.90	12.70	27.00
BB0272	44.50	66.00	12.75	27.00
BB0273	31.75	43.00	12.80	27.00
BB0274	31.70	35.00	12.10	27.00
BB0275	32.00	35.00	12.75	27.00
BB0276	22.30	26.05	12.75	26.85
BB0277	31.75	34.90	12.20	26.90
BB0278	32.00	34.93	12.00	27.03
BB0279	44.45	50.80	12.70	27.04
BB027A	19.05	20.64	11.11	27.00
BB027B	31.75	34.93	12.80	27.00
BB0292	19.05	22.23	7.94	28.58
BB0301	63.50	69.90	14.40	30.16
BB0302	28.50	31.80	15.90	30.16
BB0303	28.50	29.90	15.90	30.16
BB0304	31.75	34.70	15.90	29.92
BB0305	50.80	57.15	12.70	30.15
BB0306	28.60	34.90	12.70	30.16
BB0307	40.00	46.00	12.00	30.15
BB0308	44.51	50.83	14.24	30.15
BB0309	44.45	50.82	14.27	30.16
BB030A	39.00	42.00	14.00	30.00
BB030B	52.00	52.00	14.00	30.00
BB030C	28.57	34.92	12.00	30.16
BB030D	38.00	42.00	14.33	30.16
BB030E	34.00	38.00	12.00	30.15



Part Number	Outer Length (A)	Inner Length (B)	Inner Diameter (ϕ C)	Outer Diameter (ϕ D)
BB030F	30.16	31.75	15.88	30.16
BB030G	26.00	32.00	10.00	30.00
BB0311	88.46	91.98	14.27	31.42
BB0312	57.15	62.00	31.50	15.90
BB0313	88.50	91.70	31.50	14.20
BB0321	88.27	95.25	14.28	31.75
BB0322	50.00	54.00	16.00	32.00
BB0325	70.00	76.00	16.00	32.00
BB0331	60.40	65.10	15.90	33.40
BB0333	76.20	85.98	15.88	33.48
BB0334	60.20	64.94	15.88	33.08
BB0341	31.00	39.75	12.00	34.00
BB0342	32.00	36.00	19.10	34.05
BB0343	70.00	76.00	18.00	34.00
**BB0344	44.88	54.00	12.20	34.00
BB0352	20.00	28.00	8.00	35.05
BB0353	22.00	25.40	17.60	35.15
BB0354	34.90	39.70	17.50	34.95
BB0355	50.80	64.30	12.75	34.93
BB0356	32.00	40.00	14.00	35.00
BB0357	34.93	39.67	17.46	34.68
BB0358	25.00	45.00	12.10	35.00
BB0359	34.00	40.00	35.05	18.55
BB0361	35.00	41.25	16.00	36.00
BB0362	35.00	41.25	16.00	36.00
BB0365	75.00	82.00	17.00	36.00
BB0371	50.80	57.15	19.10	37.50
BB0381	63.5	71.50	16.00	38.10
BB0383	73.15	77.70	19.10	38.10
BB0387	72.70	77.80	12.80	38.30
BB0388	45.00	47.50	19.20	37.90
BB0389	34.90	37.20	16.60	38.20
BB038A	25.40	31.75	12.70	38.10
BB038B	25.40	28.58	15.88	38.10
BB038C	34.80	37.10	16.50	38.10
BB038D	37.10	34.80	16.50	38.10
BB0391	31.75	34.93	15.88	38.87
BB0392	38.15	38.15	21.50	39.00
BB0402	42.50	49.60	12.00	40.00
BB0402	42.50	69.85	12.00	40.00
BB0403	42.50	53.85	12.00	40.00
BB0404	49.00	48.25	14.20	40.00
BB0411	79.38	104.00	16.10	41.28
BB0412	34.93	47.63	12.00	42.27
BB0422	40.00	50.00	12.50	42.00
BB0423	35.00	46.00	12.00	42.00
BB0425	25.40	25.40	25.40	42.85



Part Number	Outer Length (A)	Inner Length (B)	Inner Diameter (ϕ C)	Outer Diameter (ϕ D)
BB0426	44.45	44.45	25.4	42.25
BB0431	38.10	41.35	19.10	42.90
BB0432	31.75	38.10	25.40	42.90
BB0433	50.80	69.85	25.40	42.85
BB0434	31.75	34.93	22.23	42.86
BB0441	38.10	41.30	25.40	44.45
BB0442	63.50	69.85	25.40	45.45
BB0443	50.00	59.00	14.50	44.10
BB0444	50.00	59.00	14.50	44.05
BB0445	40.64	45.97	22.23	44.45
BB0446	39.50	44.00	25.80	44.45
BB0451	35.00	45.00	20.00	45.00
BB0454	40.00	46.00	17.00	45.00
BB0455	75.00	82.00	16.20	45.00
BB0456	75.00	82.00	16.50	45.00
BB0457	70.00	75.00	20.05	45.00
BB0458	78.50	78.50	22.23	45.00
BB0459	29.65	29.65	19.95	44.95
BB045A	81.95	74.00	16.50	45.00
BB045B	35.00	45.00	20.05	45.00
BB045C	46.75	46.75	14.20	45.00
BB0461	25.40	35.00	25.40	46.70
BB0462	25.40	34.95	25.40	46.63
BB0463	38.10	41.28	15.88	46.10
BB0472	79.00	79.00	22.25	47.00
BB0473	25.40	31.75	12.70	47.63
BB0481	44.50	50.80	12.10	47.60
BB0482	44.50	50.80	16.00	47.70
BB0483	54.00	63.25	10.00	47.55
BB0484	38.00	49.00	12.20	47.65
BB0485	44.50	50.80	16.00	47.70
BB0486	63.60	69.85	19.05	47.63
BB0487	40.00	44.00	24.00	48.00
BB0488	40.00	44.00	14.00	48.00
BB0489	51.00	55.00	28.00	48.00
BB048A	63.6	69.85	19.05	47.63
BB0491	76.20	88.90	22.23	48.95
BB0492	76.20	88.90	22.2	49.20
BB0493	76.20	80.98	22.23	48.95
BB0494	47.00	51.00	28.00	49.00
BB0495	57.15	66.68	22.23	49.21
BB0501	80.00	84.90	25.10	50.10
BB0502	73.00	76.20	20.10	50.05
BB0503	75.00	75.00	25.25	50.05
BB0504	94.00	94.00	19.80	50.40
BB0505	25.40	31.75	17.46	50.80



Part Number	Outer Length (A)	Inner Length (B)	Inner Diameter (ϕ C)	Outer Diameter (ϕ D)
BB0507	90.00	117.00	24.00	50.07
BB0508	80.00	85.00	25.00	50.05
BB0509	105.00	100.00	20.00	50.01
BB050A	80.70	95.00	50.20	16.65
BB0511	65.00	71.00	25.40	50.80
BB0521	60.00	25.4	14.50	52.00
BB0522	40.00	44.00	28.10	52.10
BB0523	54.00	63.25	12.70	52.20
BB0524	41.50	60.00	12.10	51.95
BB0525	50.00	65.00	12.10	51.95
BB0526	100.00	108.00	28.00	52.10
BB0527	100.00	108.00	28.00	52.10
BB0541	76.20	88.90	25.40	54.00
BB0542	30.00	40.00	11.00	54.00
BB0543	54.00	57.00	32.00	54.00
BB0544	53.98	57.15	31.75	53.98
BB0545	90.22	100.00	28.58	54.61
BB0551	89.00	94.00	30.10	55.05
BB0552	90.47	100.00	28.58	54.61
BB0561	55.00	60.00	30.00	56.05
*BB0562	26.00	26.00	16.25	56.00
BB0571	85.73	88.90	28.58	57.15
BB0572	138.40	139.70	16.40	57.15
BB0573	34.90	42.80	18.42	57.25
BB0574	85.73	88.90	28.58	57.15
BB0576	85.73	88.90	28.58	56.77
BB0577	57.15	57.15	22.23	57.15
BB0578	35.0	41.4	18.88	57.15
BB0583	36.50	46.00	16.00	57.90
BB0602	65.00	94.00	16.40	60.05
BB0603	90.00	100.00	30.00	60.00
BB0604	26.00	24.00	30.00	60.00
BB0623	40.00	42.00	39.85	62.16
BB0624	65.00	68.00	37.85	63.50
BB0625	65.00	68.00	37.85	62.19
BB0631	57.00	63.50	42.88	63.50
BB0632	50.80	57.15	39.70	63.50
BB0633	101.60	117.50	25.45	63.55
BB0641	34.50	70.00	14.50	64.00
BB0642	88.00	80.00	38.00	64.00
BB0651	50.00	55.00	40.00	65.00
BB0652	100.00	110.00	34.80	65.05
BB0653	80.00	88.00	40.00	65.00
BB0662	78.00	78.00	38.00	66.05
BB0663	86.00	96.00	40.05	66.10
BB0701	75.00	70.00	45.00	70.00
BB0702	65.00	55.00	40.00	70.00



Part Number	Outer Length (A)	Inner Length (B)	Inner Diameter (ϕ C)	Outer Diameter (ϕ D)
BB0711	41.15	45.00	35.00	71.20
BB0712	111.13	120.65	34.93	70.56
BB0713	111.10	120.65	34.93	71.12
BB0715	53.60	60.30	34.93	71.12
BB0716	52.50	52.50	46.00	71.50
BB0751	32.00	36.00	45.05	75.05
BB0761	127.00	133.35	44.50	76.20
BB0762	88.90	95.25	44.50	76.20
BB0763	86.35	87.70	44.45	76.20
BB0765	114.30	120.65	44.50	76.25
BB0767	60.30	63.50	44.5	76.2
BB0768	127.00	133.48	44.45	75.87
BB0803	45.00	49.00	45.05	80.05
BB0804	70.00	91.00	20.40	80.00
BB0822	76.20	81.20	55.50	81.50
BB0823	84.00	76.00	36.00	82.50
BB0881	101.60	79.38	44.40	88.90
BB0901	50.00	50.00	60.00	90.00
BB0902	60.32	63.55	44.5	90.55
BB0951	79.40	88.97	38.10	94.77
BB0952	79.37	88.90	37.59	95.30
BB0953	79.40	88.97	38.10	95.10
BB1001	88.90	95.25	53.10	100.10
BB1021	95.25	95.25	43.96	101.60
BB1022	95.25	95.25	44.00	101.60
BB1041	101.60	111.10	71.05	103.96
BB1042	101.60	111.10	63.50	104.03
BB1043	111.10	101.60	68.80	104.27
BB1051	90.00	87.00	60.00	105.00
BB1392	190.00	202.00	92.00	140.00
BB1401	170.00	182.00	80.00	140.00
BB1402	127.00	139.70	88.90	139.70
BB1403	155.00	145.00	80.00	139.97
BB1431	190.50	193.70	76.25	142.80
BB1451	96.00	82.00	91.00	145.00
BB1452	91.50	81.00	91.00	145.00
BB1601	172.00	180.00	100.00	160.00
BB1631	125.00	130.15	124.00	163.15
BB1801	142.00	155.00	130.00	180.00
**BB1931	40.60	46.10	138.00	193.65

*Parts currently only made in polyurethane

**Latest editions to range